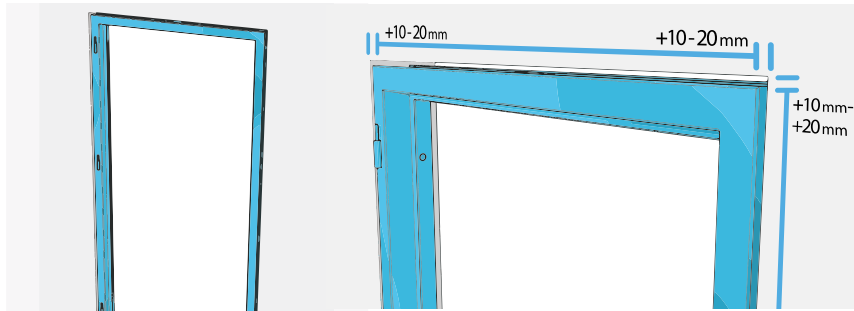


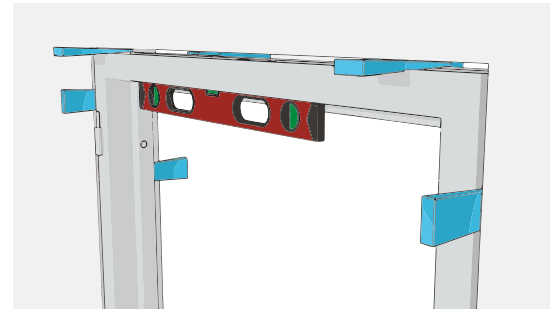
# FM HINGED FIRE DOOR INSTALLATION

Video instructions: [goo.gl/Weh3Eo](https://goo.gl/Weh3Eo)

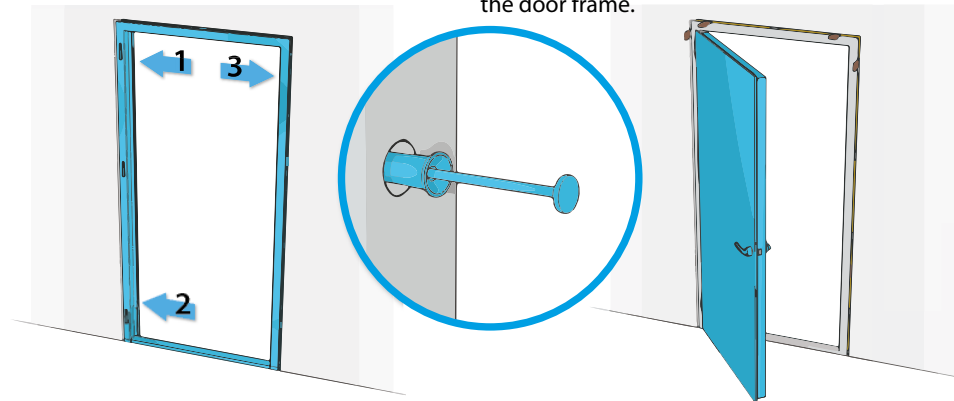
Turuntie 38, PL 2 • 30101 Forssa • Tel. +358 20 710 9622 • [www.forssanmetallityot.fi](http://www.forssanmetallityot.fi)



- 1** Measure the opening and the door frame. The opening should be 20-40 mm wider and 10-20 mm higher than the door frame.

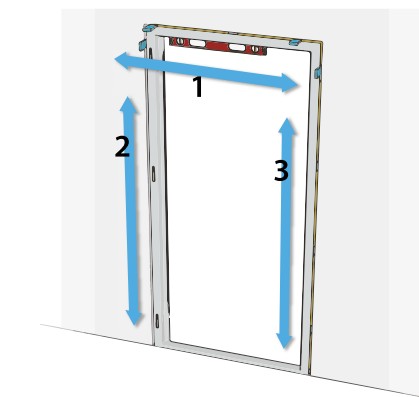
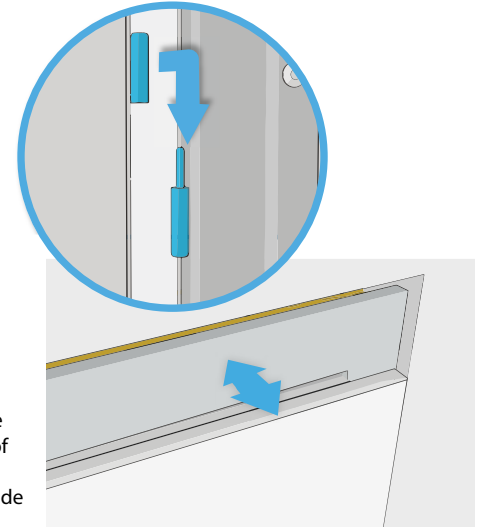


- 2** Fit the door frame in the opening with shims and check frame levels using a spirit level.



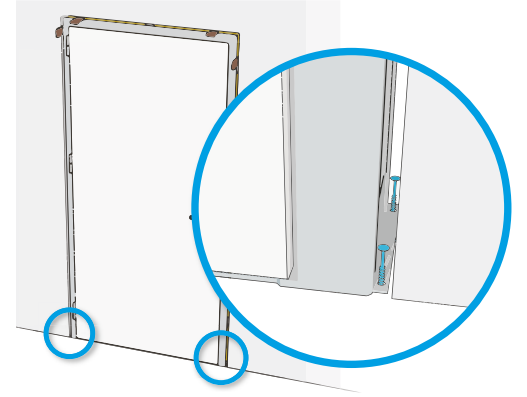
- 3** Fix the first three screws in the indicated order.

- 4** Fit the door leaf on the hinges. Check the door's movement, the clearance between the frame and the door and the alignment of the surfaces of the frame and the lock side of the door leaf. If necessary, adjust by moving the lower end of the frame's lock side in the thickness direction of the wall.

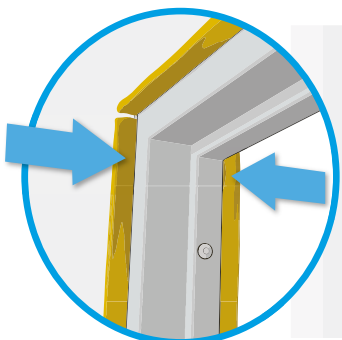


- 5** Recheck frame levels using a spirit level in the indicated order.

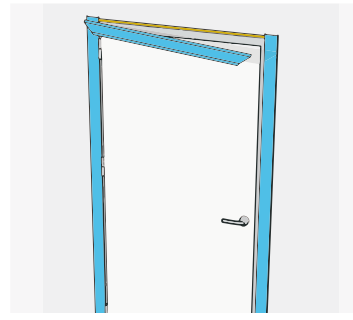
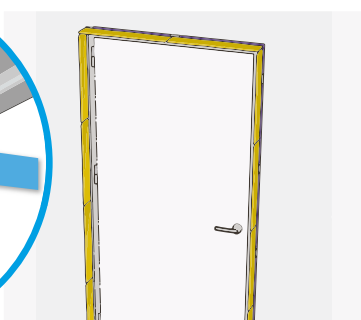
- 6** Fix the remaining five screws in the indicated order. Close the screw holes with plugs.



- 7** Secure the lower end of the door frame to the floor between the frame and the wall.



- 8** Insulate the gaps between the frame and the wall with stone wool and remove the shims. Insulate fire doors with Paroc Extra stone wool. For metal fire doors EI2 30 and EI2 60 in stone walls, Wurth Fire Protection and Soudafoam Gun FR HY polyurethane foams can also be used.



- 9** Measure and cut trims. Fix them in place with screws or pop rivets.



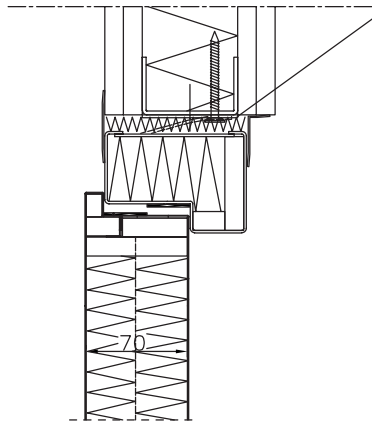
- 10** Clean the door and work area. The door is ready for use.

## INSTALLATION IN GYPSUM BOARD AND PVP WALL STRUCTURES

### GYPSUM BOARD WALL STRUCTURE

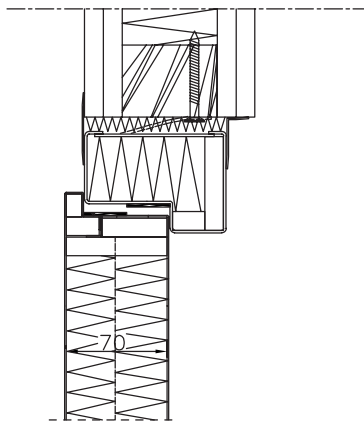
#### STEEL FRAME

Fastening: Drilling screw  
min. din 6,3x60  
Steelplate 66x66 s=2  
Fastening: Rivet 4,2 (plate)



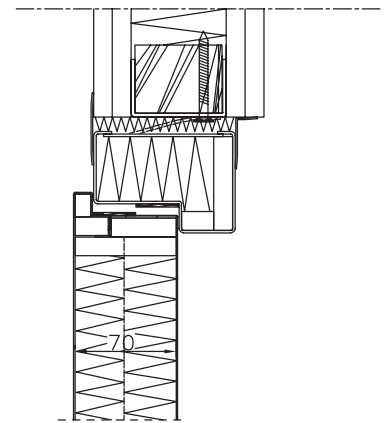
#### WOODEN FRAME

Fastening: Wood screw,  
min. dim. 6x60



#### STEEL FRAME REINFORCED WITH WOODEN

Fastening: Wood screw,  
min. dim. 6x60



### STEEL-INSULATION-STEEL ELEMENT WALL STRUCTURE

#### STEEL FRAME

Fastening: Drilling screw  
min. din 6,3x60  
Steelplate 66x66 s=2  
Fastening: Rivet 4,2 (plate)

